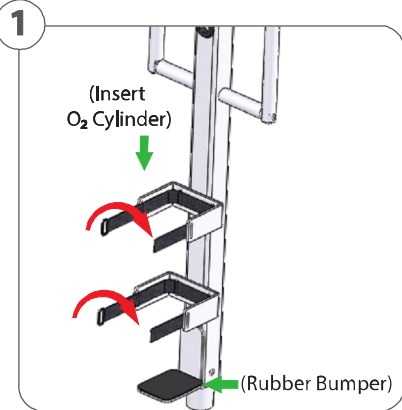
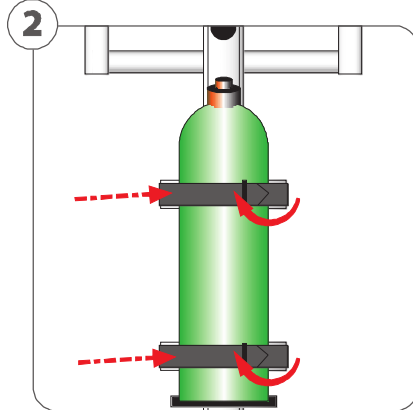


Attaching Oxygen Cylinder

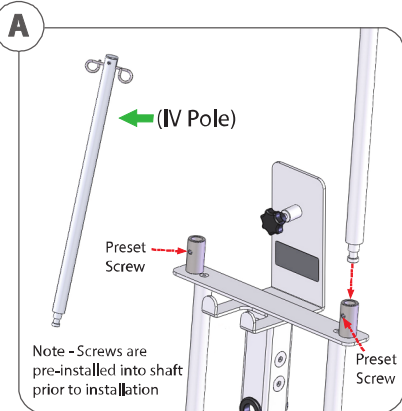


Insert Oxygen Cylinder between the brackets located on the rear of the Rolling Stand. Cylinder should be resting on the Rubber Bumper for proper installation.

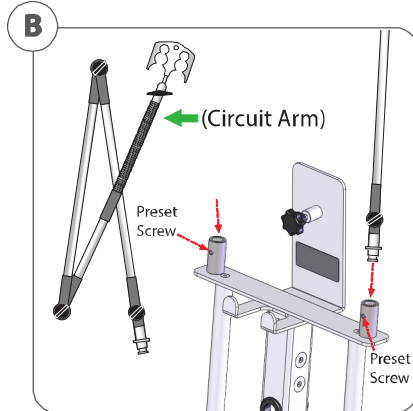


Once cylinder is stable slip velcro straps through D-rings to secure the cylinder. Give Cylinder a tug to test resistance.

Optional Attachments (IV Pole and Circuit Arm)



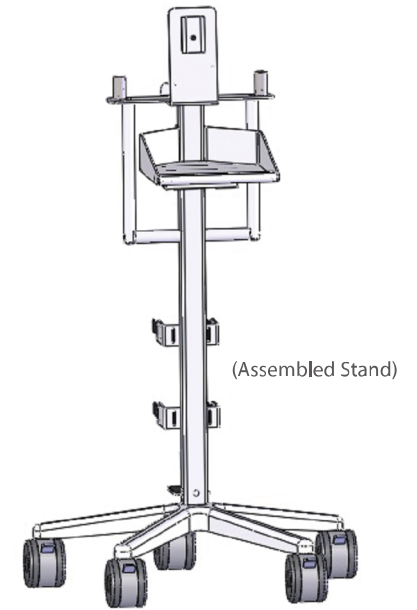
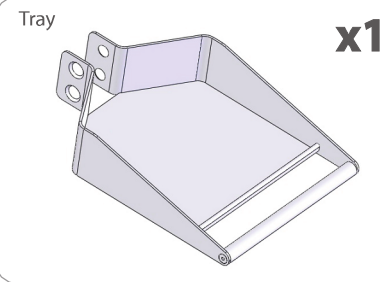
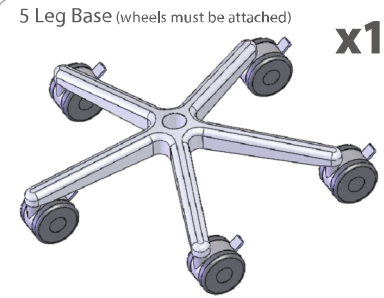
Using the 5/32" Hex Wrench and preset screw (5/16-24 x 1/4") insert the IV pole to a preferred side and tighten until IV pole is secure. Removal of IV Pole should not be possible if connected properly.



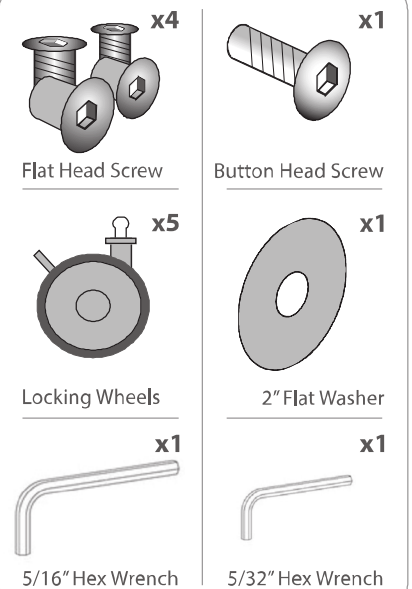
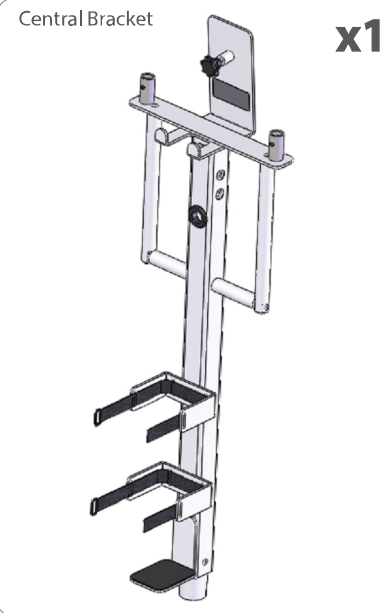
Using the 5/32" Hex Wrench and preset screw (5/16-24 x 1/4") insert the Circuit Arm to a preferred side and tighten until Arm's pole is secure. Removal of Circuit Arm should not be possible if connected properly.

Ventilator Rolling Stand **ZOLL**

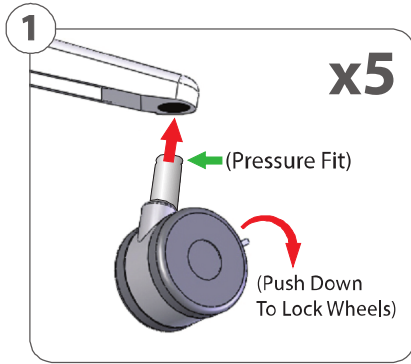
Contents:



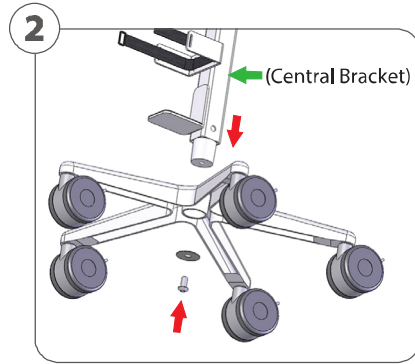
Hardware:



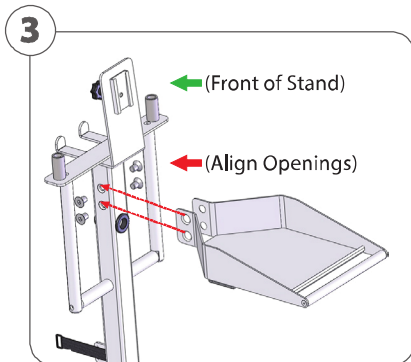
Assembling Rolling Stand



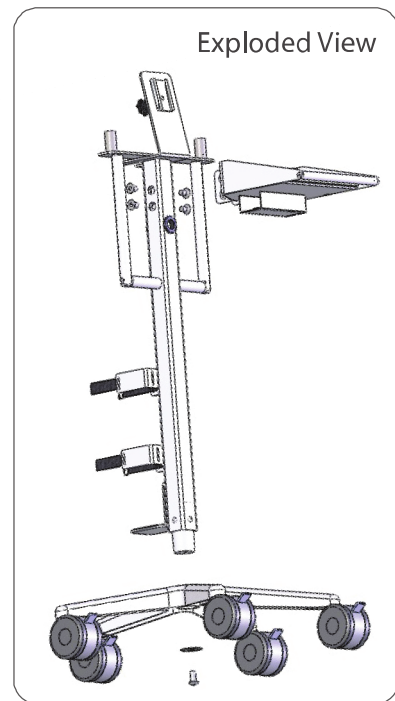
Lock each wheel prior to attaching to base, then Connect each of the 5 Locked Wheels to each of the coinciding openings at the bottom of Base. Each wheel shall connect easily when pressure is applied from opposite ends of base and wheel bottom.



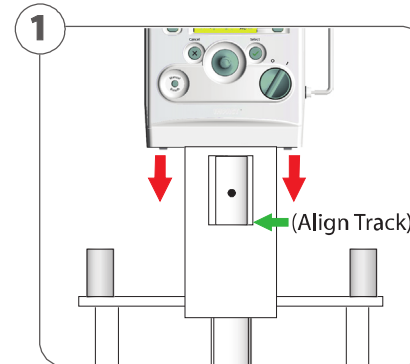
Once wheels are connected and locked, align Central Bracket to the center of Base. Insert bottom of bracket into opening located in the center of base. Using the 5/16" Hex Wrench screw the 1" Button Head Screw along with the 2" Flat Washer provided, creating a secure connection.



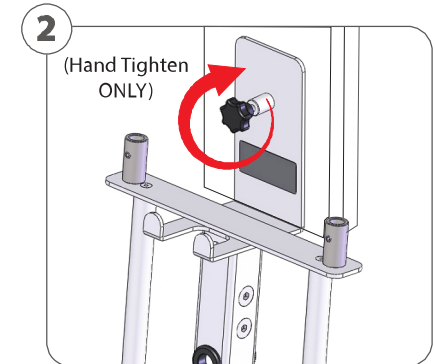
Align the tray's openings then using the 5/16" Hex Wrench screw each of the four 3/4" Flat Head Screws into each of the four openings on the Central Bracket. Screws should be secured tightly for user and patient protection.



Attaching Ventilator

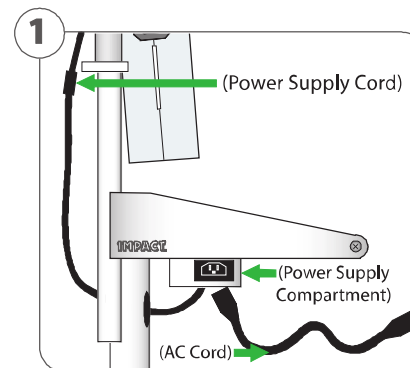


Loosen black knob on rear of rolling stand track to back screw out of track. Slide Ventilator down into track, making sure Ventilator's track is vertically aligned with the Rolling Stand's track.

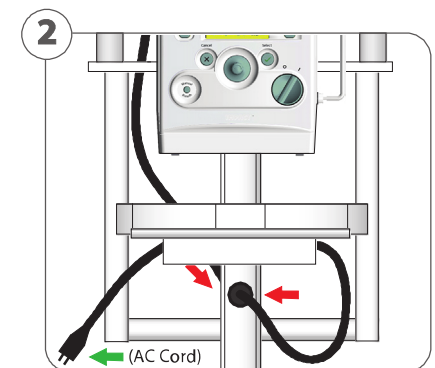


Once Ventilator is secure in track, turn the black knob clockwise to secure Ventilator in place. To release Ventilator turn the knob counter clockwise, loosening the Ventilator from track and slide up vertically.

Connecting Power Supply



Insert Power Supply into the Compartment located directly underneath the tray. Feed Power Supply Cord through the opening in the rolling stand, connect cord into ventilator. Lastly Connect AC Cord to Power Supply Compartment and insert into an AC Outlet.



Once Power Supply is secure in the Compartment pull the remaining length of the Power Supply Cord through the Opening located below tray on the Central Bracket. This will keep the Cord safely tucked behind the Ventilator and Rolling Stand.